

FORTRESS POWER

eFlex 5.4 Lithium Battery Storage



We design the eFlex 5.4 with a goal of building the world most robust lithium battery for all different application scenarios and harsh weather conditions.

- Tier 1 Automotive Prismatic Lithium Iron Phosphate Cell with the highest cycle life
- Patented Enclosure design achieves 4 times better thermal performance than our competitors
- IP 65 Dust and Water Proof design for outdoor install
- Flexible mounting options (wall mount, floor-stand or standard 19" industrial server rack mount)

Our market leading Digital Processor Battery Management System (BMS) includes:

- High amperage Contactor Disconnects
- Individual cell voltage & temperature monitoring and balancing for maximum reliability and longevity
- Canbus, Modbus, and Wi-Fi communication enable Internet-of-Things compatibility
- Advanced closed loop communication with most 48V inverters

Application Scenarios:



Electrical Specifications	
Nominal Voltage:	51.2V
Nominal Capacity:	105AH
Rated Capacity @ 0.5C (50A):	5.374 kWh
Resistance:	<10 mΩ
Efficiency (at 0.5C):	>98%
Self-Discharge:	<1 % / Month
Maximum Allowed Modules in Parallel:	15 (81 kWh)
Depth of Discharge	Up to 100%
Warranty	10 Years
Cycle Life	8,000 (@ 80% DoD)

Charge Specifications	
Recommended Charge Current:	<55A
Maximum Charge Current:	100A
Recommended Charge Voltage:	54.4V
BMS Charge Voltage Disconnect:	>56V

Discharge Specifications	
Recommended Continuous Discharge Rate:	60A (3KW DC)
Peak Continuous Discharge Rate:	100A (5 KW 60 Min)
Maximum Surge Power Rate:	130A (6.6 KW 5S)
Recommended Low Voltage Disconnect:	48V
Battery Low Voltage Protection:	<45V
Battery recovery Voltage:	45V

Temperature Specifications	
Discharge Temperature:	-4°F~131°F (-20°C ~ 55°C)
Charge Temperature:	32°F ~ 114°F (0°C ~ 45°C)
Storage Temperature:	20°F ~ 95°F (-6°C ~ 35°C)

Mechanical Specifications	
Dimensions: (L*W*H)	18x23x7.3 inches 446x546x183 mm
Weight:	108 lbs (49kg)
Terminal Type:	M8
Ring Terminal Size:	3/8ths or larger
Terminal Torque:	7.0 – 7.7 Nm (5.1 – 5.7 ft-lb)
Terminal Cover	1 set, Waterproof
Case Material:	Anodized Aluminum
Enclosure Protection:	IP65
Cell Type Chemistry:	Tier 1 Automatic Prismatic - LiFePO ₄

Compliance Specifications:	
Certifications:	UL9540, UL1973, UL1642, CEC, SGIP
Shipping Classification:	UN 38.3, CLASS 9 (Lithium Ion Battery)

Basic Charging Profile	
Bulk + Absorb Charge:	54.4V
Absorb Time:	60 minutes
Float Charge:	54V
Inverter Charging:	2 Stage / No Float
Equalization:	No equalization (typical) 54.6V for 10 seconds (rare)
Temperature Compensation:	None



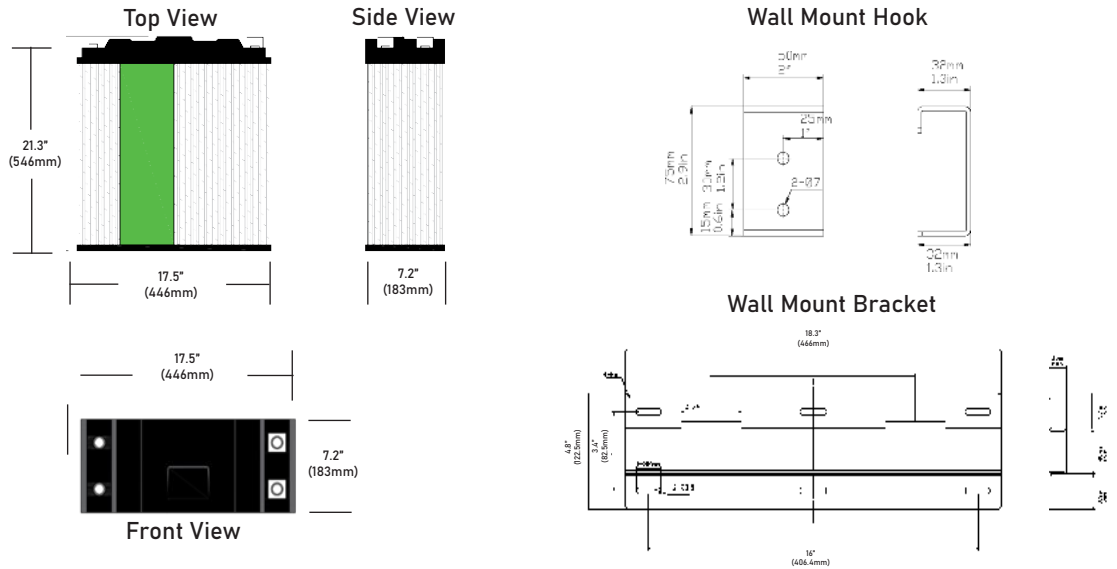
Compatible with Most Inverters on the Market

Schneider Sol-Ark Midnite Solar OutBack Power SMA Morningstar Phocos Victron Energy Growatt

www.FortressPower.com

Sales@FortressPower.com • 877-497-6937

DIMENSIONS:



FlexRack

for Fortress eFlex 5.4 kWh lithium batteries

- INCLUDES INTERGRATED BUSBARS AND BATTERY CABLES FOR EASY STACKING
- EASY TO ADD DIN RAIL THERMOSTAT FOR COLD CLIMATES
- PASSIVE COOLING VENT FOR WARM CLIMATES
- BUILT ON WHEELS FOR EASY MOVEMENT AND POSITIONING
- EXPANDABLE UP TO 4 UNITS (15 EFLEX BATTERIES; TOTAL 81 KWH)



SCAN ME FOR MORE INFORMATION

INTERESTED IN BECOMING AN AUTHORIZED DEALER?

SCAN ME



FORTRESS POWER
 Secure your energy

LATEST INVERTER INTERACTION MANUAL

SCAN ME



Join us to bring the latest energy storage products to millions of homes and businesses across the world.

www.FortressPower.com

Sales@FortressPower.com · 877-497-6937