



AES RACKMOUNT

Energy Storage System

QUICK STACK RACK

The **AES RACKMOUNT Quick Stack Rack** is designed for use with AES RACKMOUNT Battery Modules and with the AES RACKMOUNT Battery Module Combiner to create an open stacking system containing up to six Battery Modules with one Battery Module Combiner.

- Stack Up to Six Battery Modules and a Battery Module Combiner
- Brackets Interlock Without Tools
- Facilitates Air Gap Between Batteries Reducing Heat Transfer

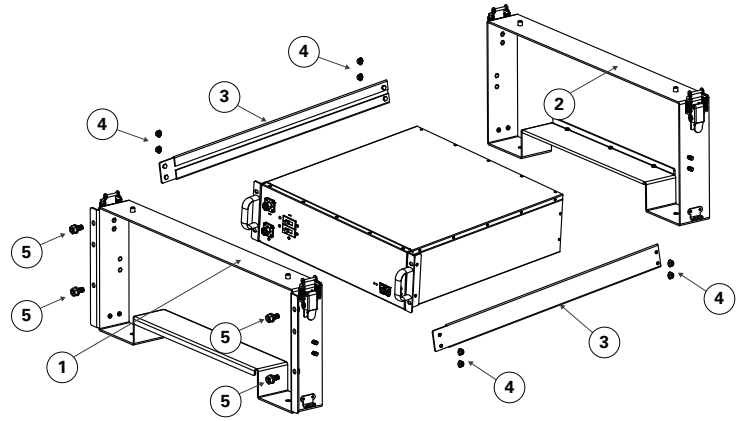
COMPATIBLE WITH AES RACKMOUNT BATTERY MODULES AND BATTERY MODULE COMBINER.



WHAT'S IN THE BOX

ITEM	DESCRIPTION
1	Front End Bracket
2	Back End Bracket
3	Side Arm
4	Side Arm Nut (M4)
5	Mounting Screw (M6)

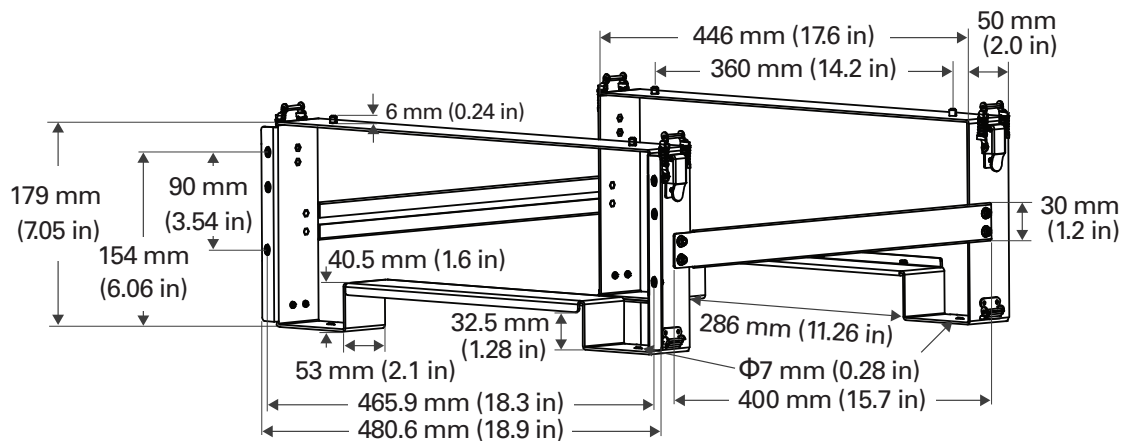
1 Spare Set: Mounting Screw (2), Side Arm Nut (2)



MECHANICAL SPECIFICATIONS

FRONT END BRACKET	
Height	179.0 mm (7.05 inch)
Width	480.6 mm (18.9 inch)
Depth	53.0 mm (2.1 inch)
HOLDING PINS	
Height	6.0 mm (0.24 inch)
Diameter	6.0 mm (0.24 inch)

BACK END BRACKET	
Height	179.0 mm (7.05 inch)
Width	446.0 mm (17.6 inch)
Depth	50.0 mm (2.0 inch)
HOLDING PINS	
Height	6.0 mm (0.24 inch)
Diameter	6.0 mm (0.24 inch)
SIDE ARM	
Height	30.0 mm (1.2 inch)
Length	400.0 mm (15.7 inch)



#7 -13511 Crestwood Place, Richmond, BC, V6V 2E9, Canada

+ 1.778.776.3288

info@discoverlithium.com

discoverlithium.com

808-0044 REV A